

TrailMaster™

Trailed linkage attachment

StealthS2 340 on TrailMaster



StealthS2 340 on TrailMaster in transport mode



ProCut 282 on TrailMaster

More from your mower!

TrailMaster converts your linkage-mounted ProCut or StealthS2 to a convenient trailed configuration for these added benefits:

- Zero turn capability
- Reduced tractor size for lower operating costs
- Unparalleled manoeuvrability
- Easier mower maintenance
- Safe road transportation



Simply the best on the market

Specifications

The manufacturer has a policy of continuous improvement, therefore specifications may change without notice.

DESIGNED & MANUFACTURED IN
NEW ZEALAND

The TrailMaster attachment for ProCut or StealthS2 adds more versatility, manoeuvrability and serviceability to two of the best loved Howard mowers. The unique patent pending design gives these mowers an acute turning radius and an innovative weight transfer system means the transport wheels will not damage turf.

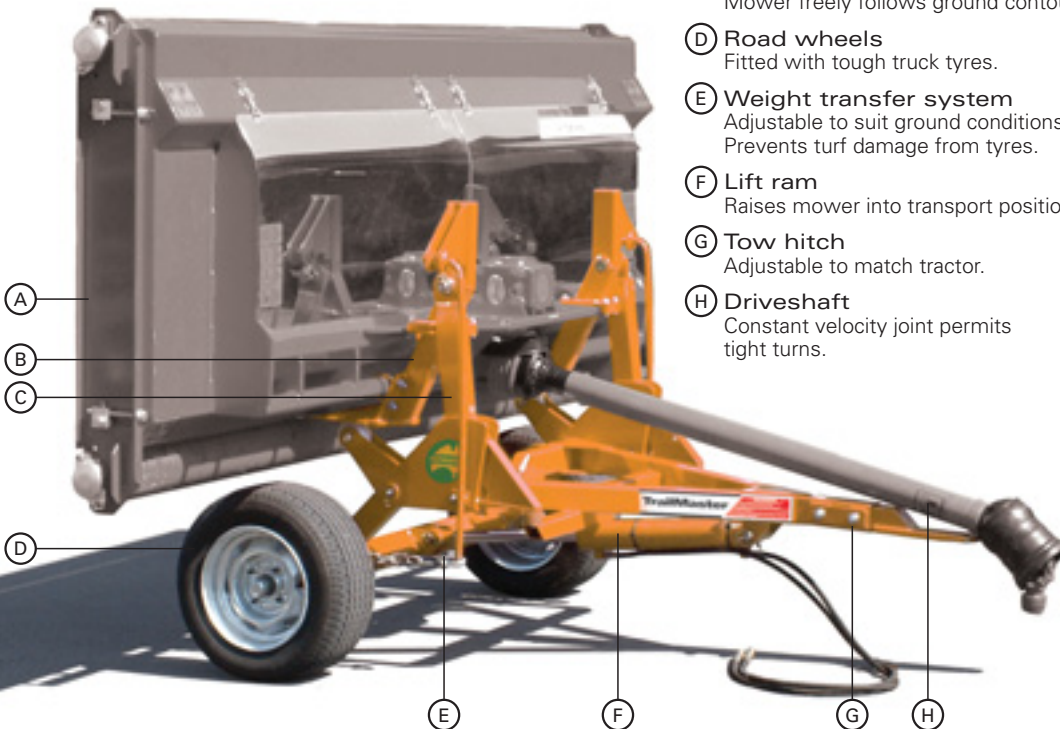
The addition of the TrailMaster also reduces the overall tractor size requirements by up to 30%. As the mower weight is on the TrailMaster when lifting, not on the 3-point linkage, these large mowers can now be powered by surprisingly small tractors.

With TrailMaster road transportation is an easy and safe exercise. The hydraulic lift ram raises the mower into a vertical position, allowing it to be towed on transport wheels. In the raised position access to the mower under-body is completely unobstructed for cleaning or blade inspection. This makes mower maintenance quick and convenient, reducing costs and downtime.

Add versatility, add the TrailMaster.

L1 170	
Width	1.7m (69")
Length ¹	1.5m (60")
Height ²	0.95m (37")
Approx Weight	100kg (220lb)

Dimensions for TrailMaster only – combined width, length and weight depend upon mower fitted.
¹ Towing eye to rear of wheels in mowing position
² Mowing position, wheels on ground
 See individual mower specifications for width and cut height specifications



- (A) Mower (typical)**
Compatible with Howard ProCut 178-300.
Compatible with Howard StealthS2 340.
- (B) Mounting brackets (varies with mower)**
Connect TrailMaster to mower.
- (C) Linkage Arms**
Fully floating.
Mower freely follows ground contours.
- (D) Road wheels**
Fitted with tough truck tyres.
- (E) Weight transfer system**
Adjustable to suit ground conditions.
Prevents turf damage from tyres.
- (F) Lift ram**
Raises mower into transport position.
- (G) Tow hitch**
Adjustable to match tractor.
- (H) Driveshaft**
Constant velocity joint permits tight turns.



Transport mode.

New Zealand and international patents pending

Mower shown in transport mode for illustration only. Mower MUST be lowered before detaching from tractor.

WARNING: Machinery shown in this publication may have protective guards removed for clarity. Howard strongly recommends the use of safety guards and shields during normal operation to reduce the risk of property damage, serious bodily injury or even death from objects thrown out by, or from contact with the cutting blades or from being trapped between moving parts. For road use, tractor must be fitted with appropriate mirrors. Road lighting may be required to comply with local regulations. Some ProCut models may be over width for road use.



Howard Australia Pty Ltd

167 Prospect Highway, Seven Hills NSW 2147
ABN 96 002 960 778

postal: Private Bag 5, Seven Hills NSW 1730

phone: 02 9674 2966 (SALES)

phone: 02 9674 2133 (PARTS)

facsimile: 02 9674 6263

email: info@howard-australia.com

website: www.howard-australia.com

Your nearest authorised dealer:

